

SKINS GAME

CHAPTER

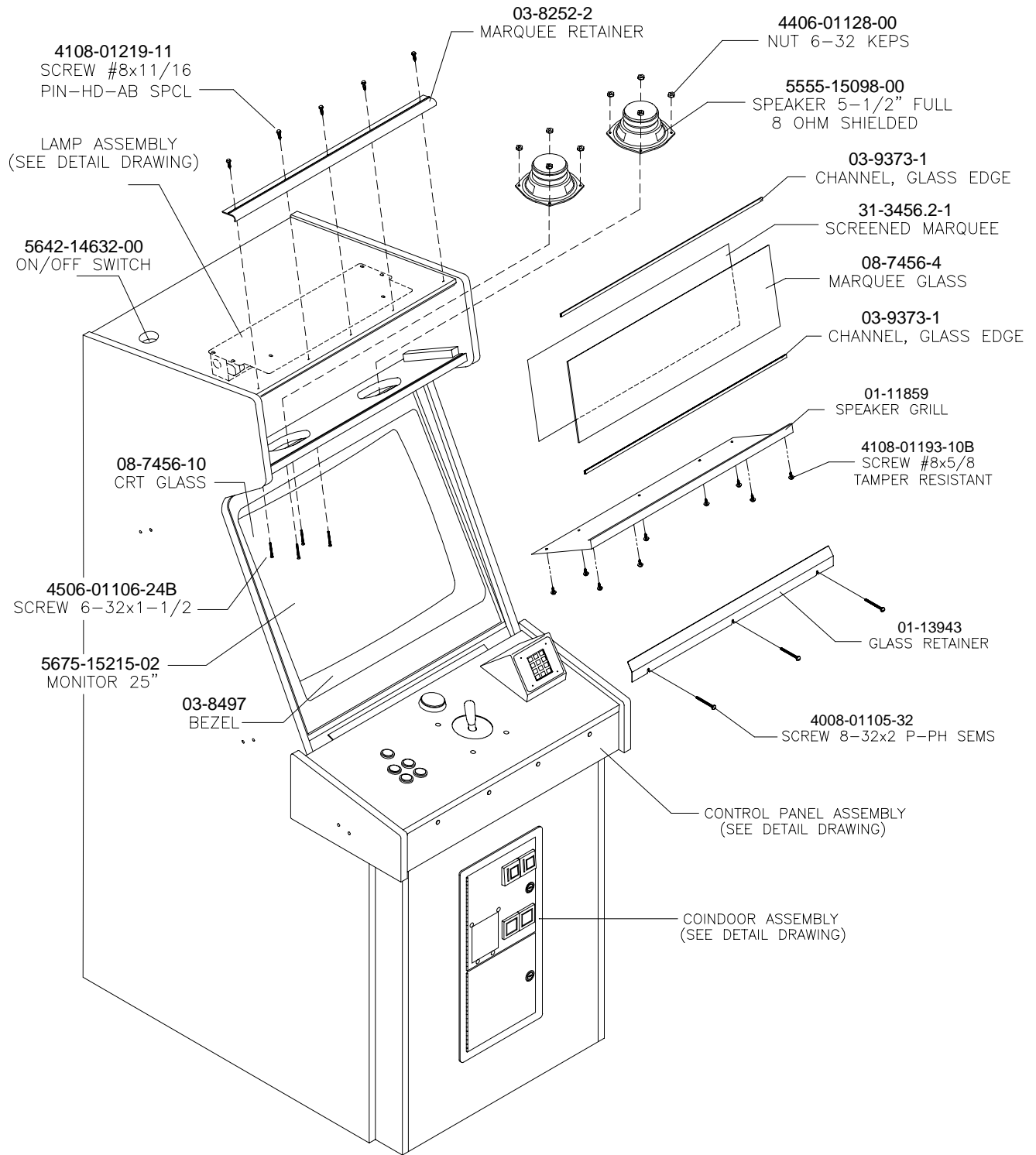
5

PARTS

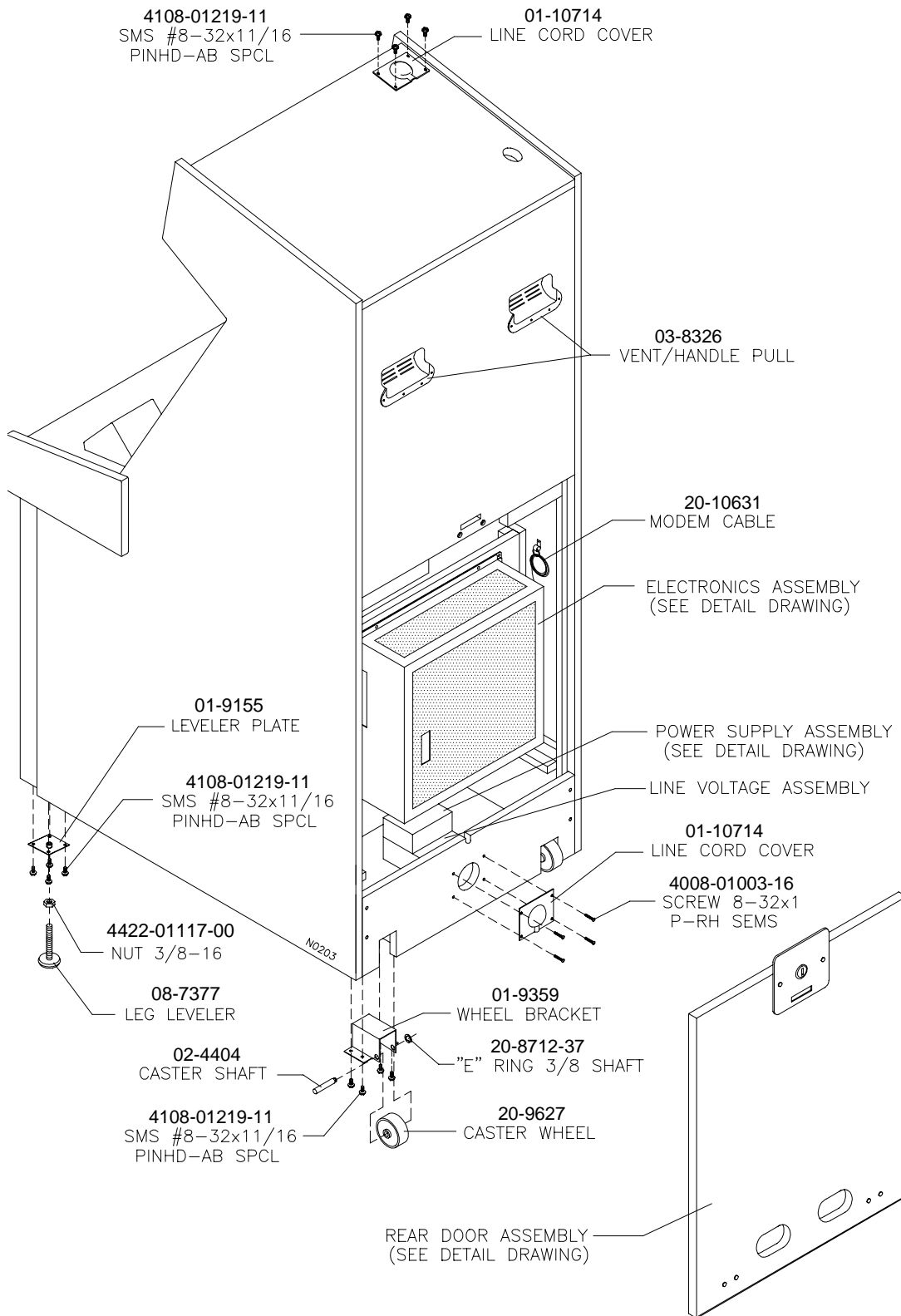


NOTICE: This manual is subject to change without notice. Midway Games West Inc. reserves the right to make improvements in equipment function, design, or components as progress in engineering or manufacturing methods may warrant.

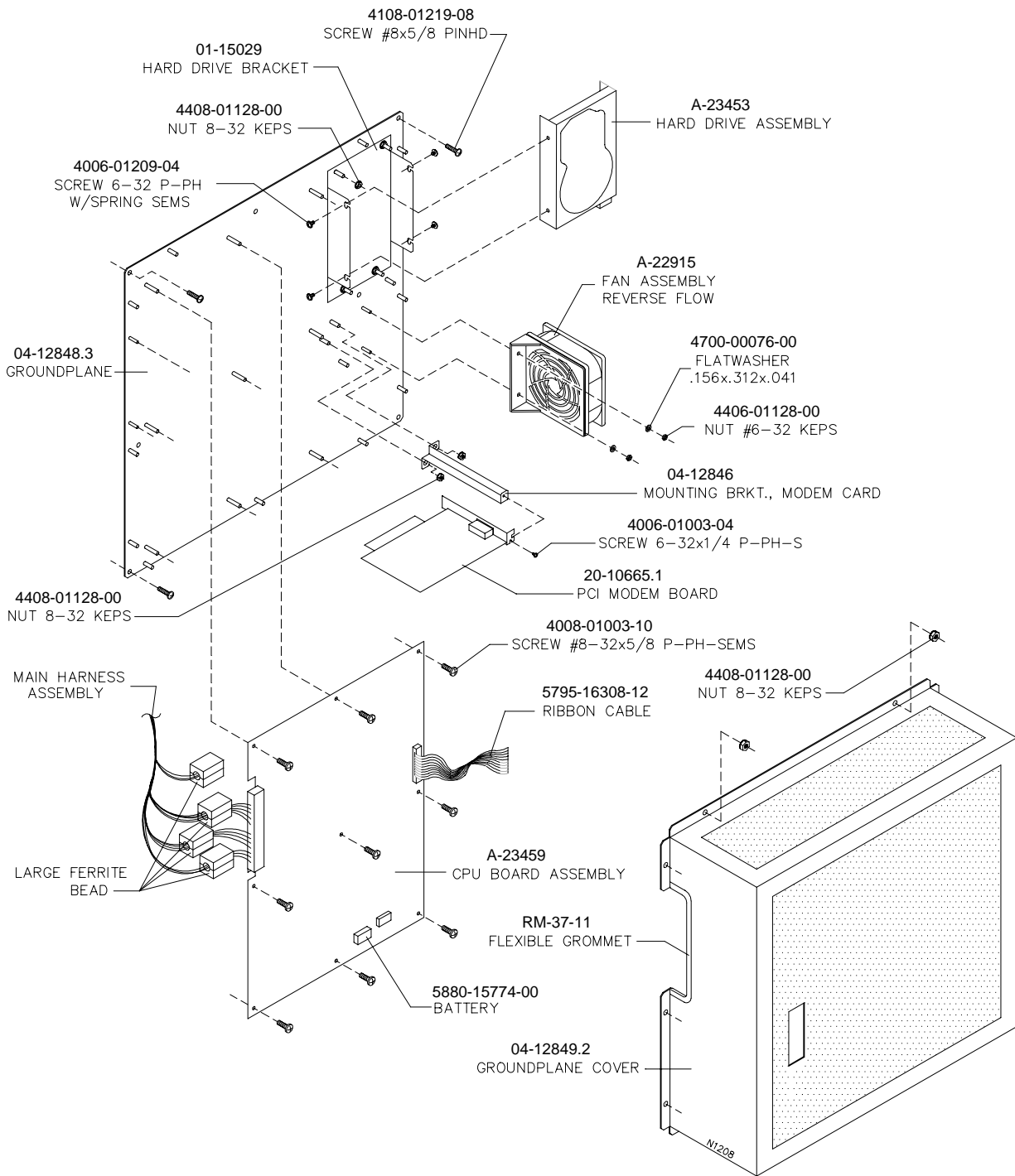
MAIN CABINET ASSEMBLY (FRONT VIEW)



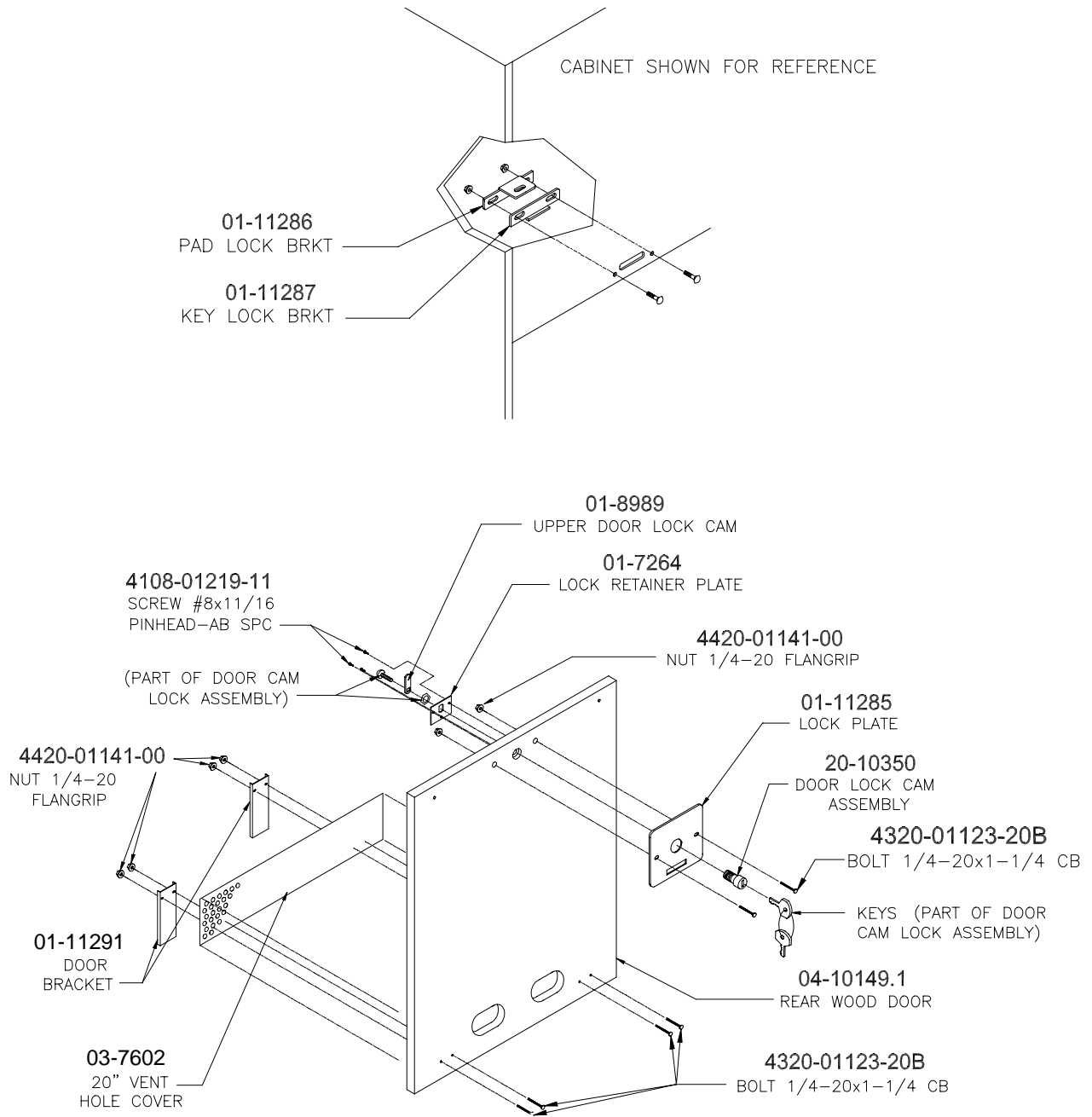
MAIN CABINET ASSEMBLY (REAR VIEW)



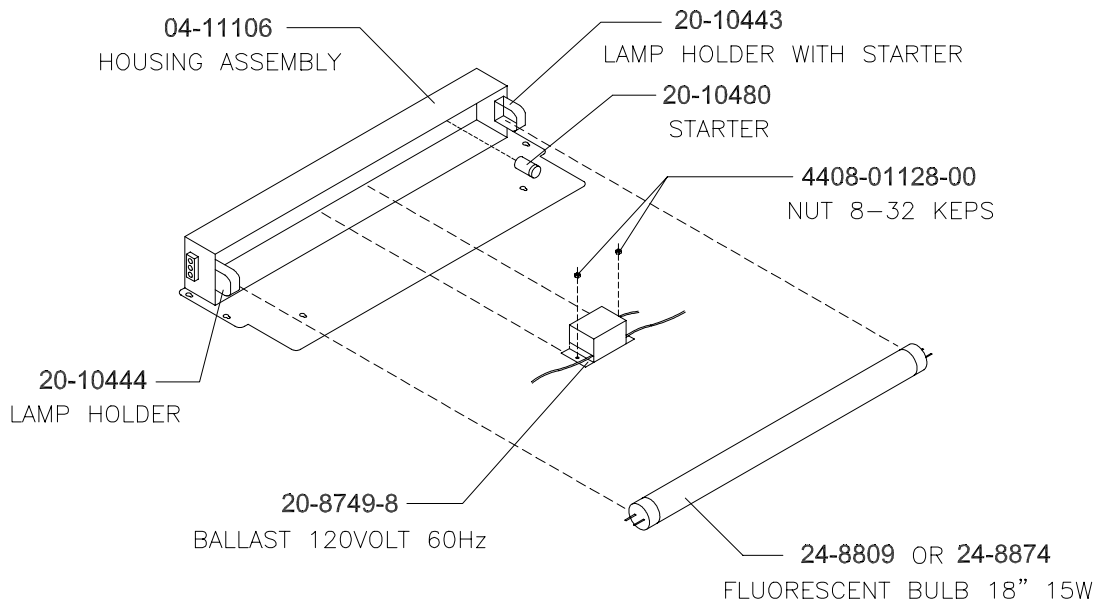
ELECTRONICS ASSEMBLY (A-23452)



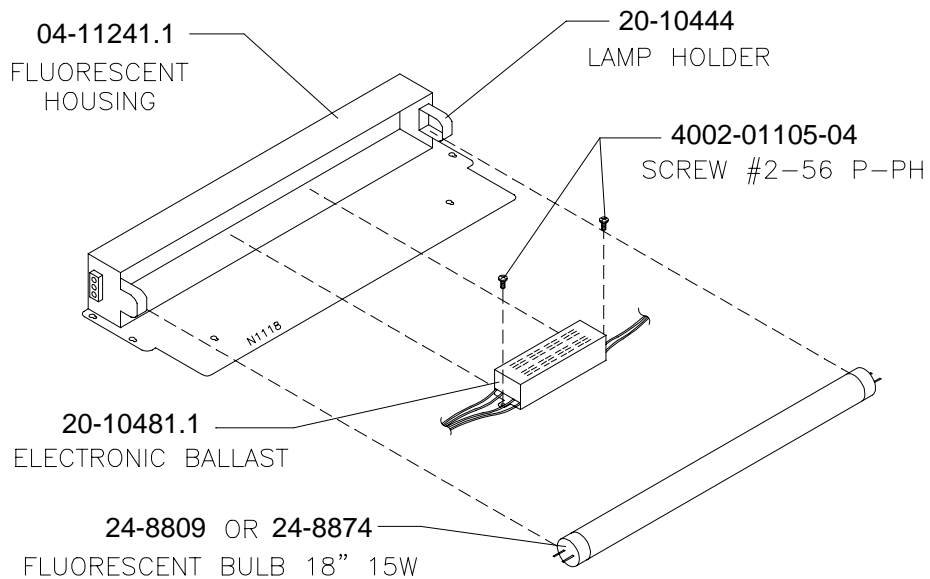
REAR DOOR ASSEMBLY (A-20281)



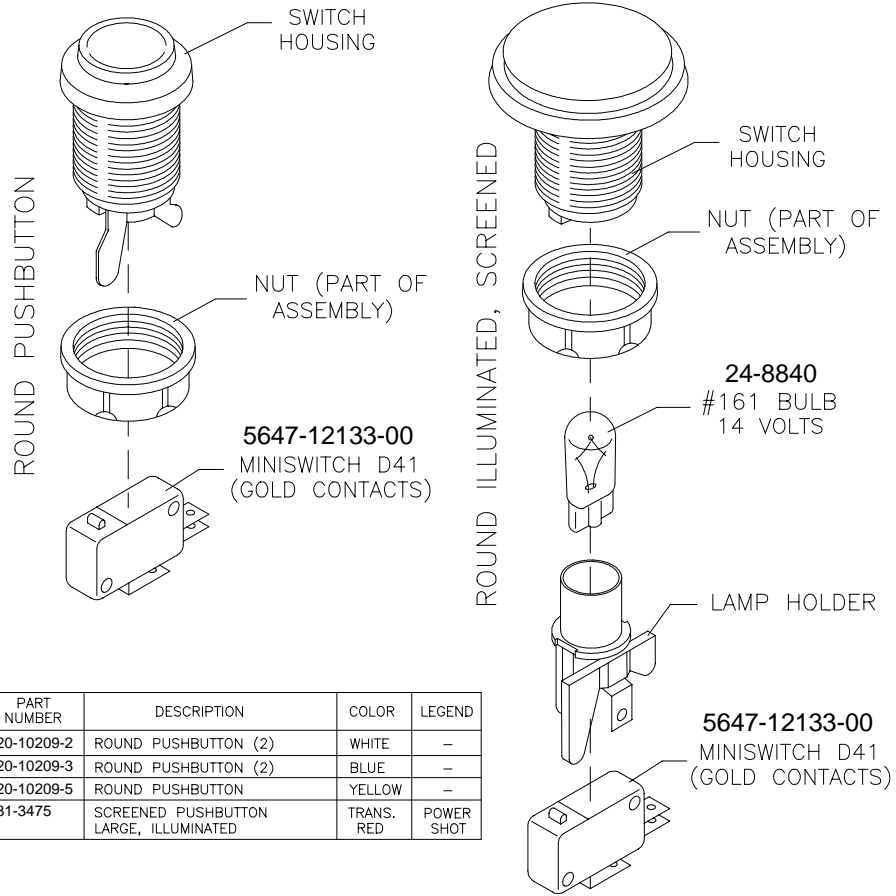
FLUORESCENT LIGHT ASSEMBLY (U.S./CANADA) (A-22365)



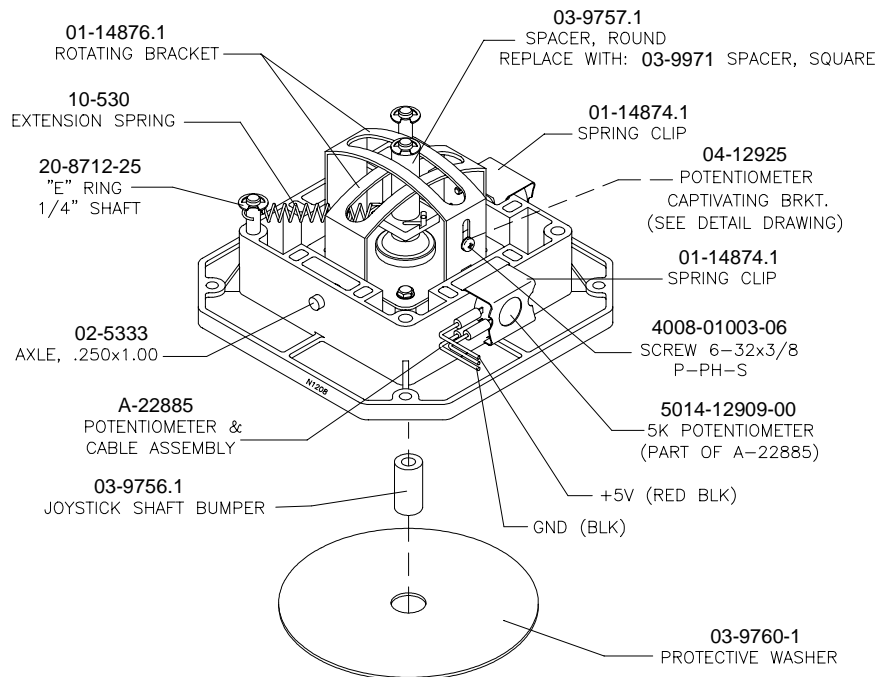
FLUORESCENT LIGHT ASSEMBLY (A-22506)



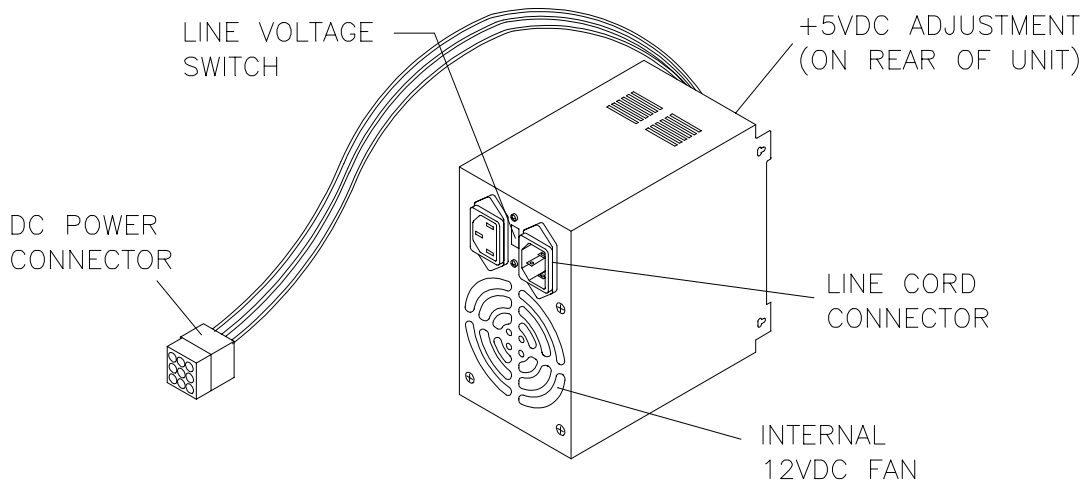
PUSHBUTTON ASSEMBLIES



JOYSTICK ASSEMBLY (BOTTOM VIEW) (A-22389)



POWER SUPPLY (20-10167)

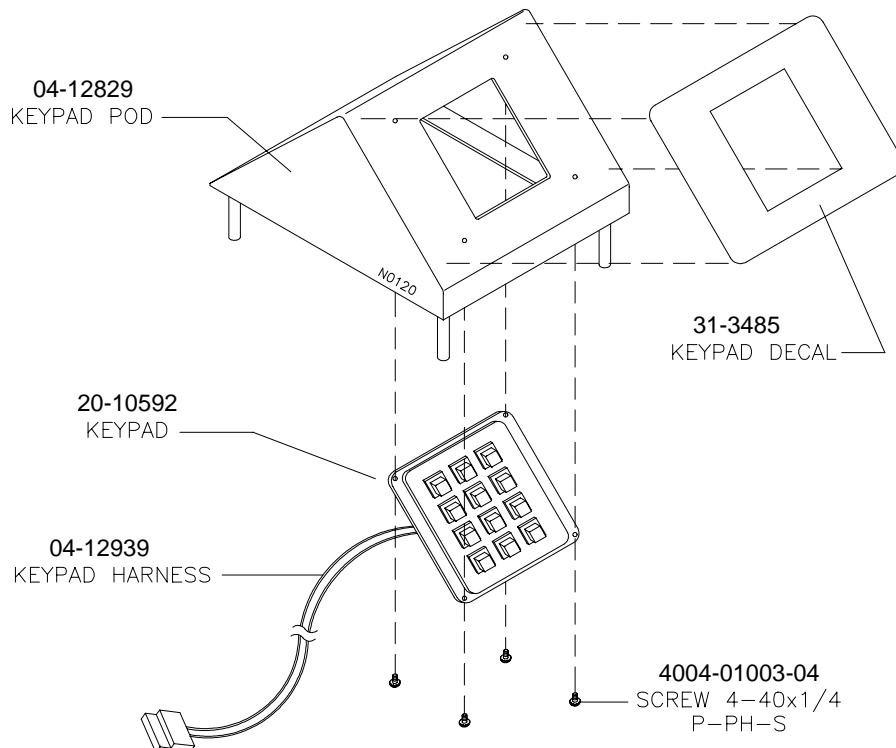


DC main power connector

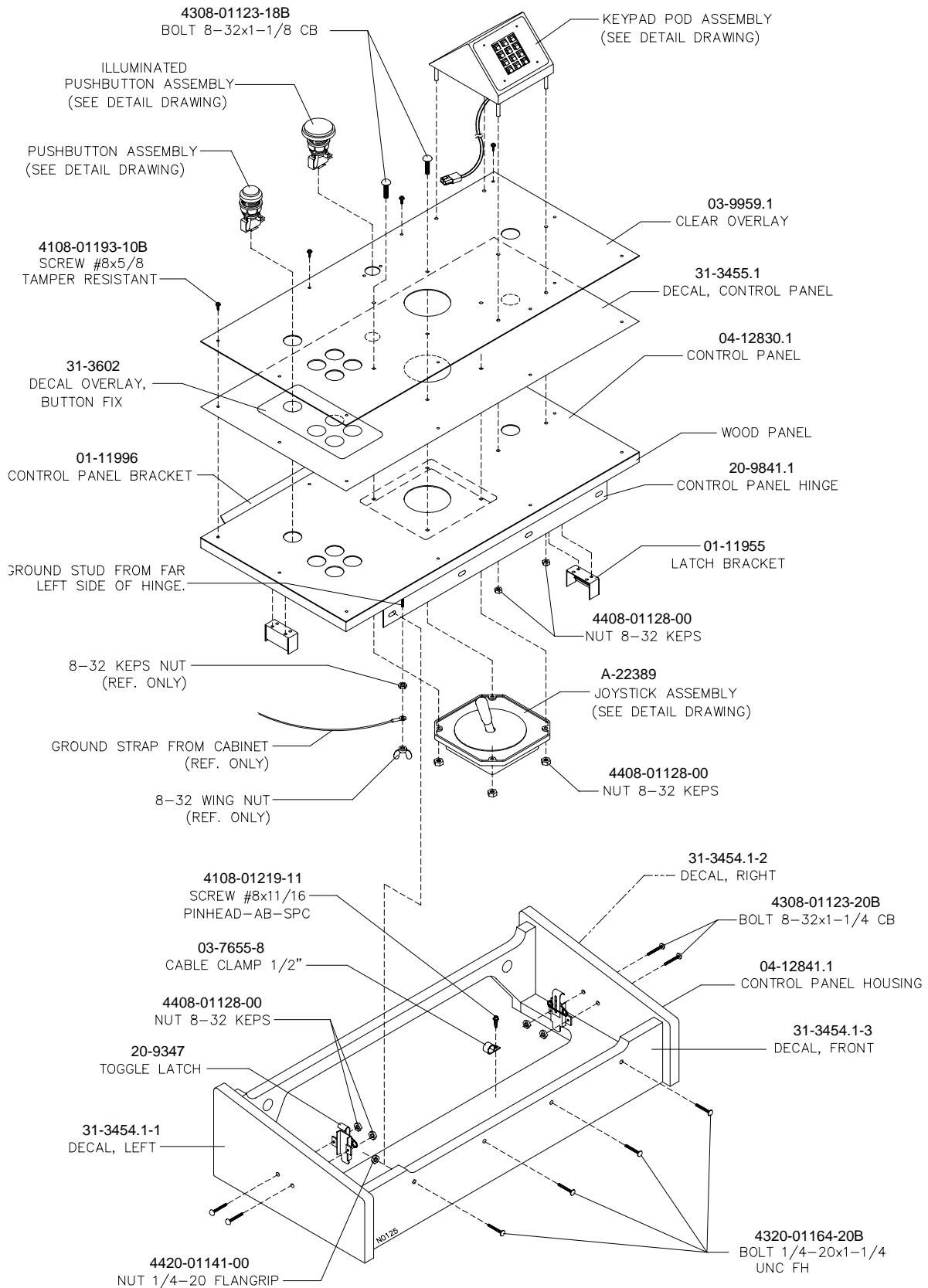
Connector Pin #	Pin Function	Designation Wire Color
1, 2, 3	+5V DC	Red
4, 5, 6	Ground	Black
7	-5V DC	Yellow*
8	+12V DC	Orange*
9	-12V DC	Blue*

*Note: Many computer grade power supplies use yellow for +12V, blue for -5V, and white for -12V. This is acceptable as long as the pinout is correct.

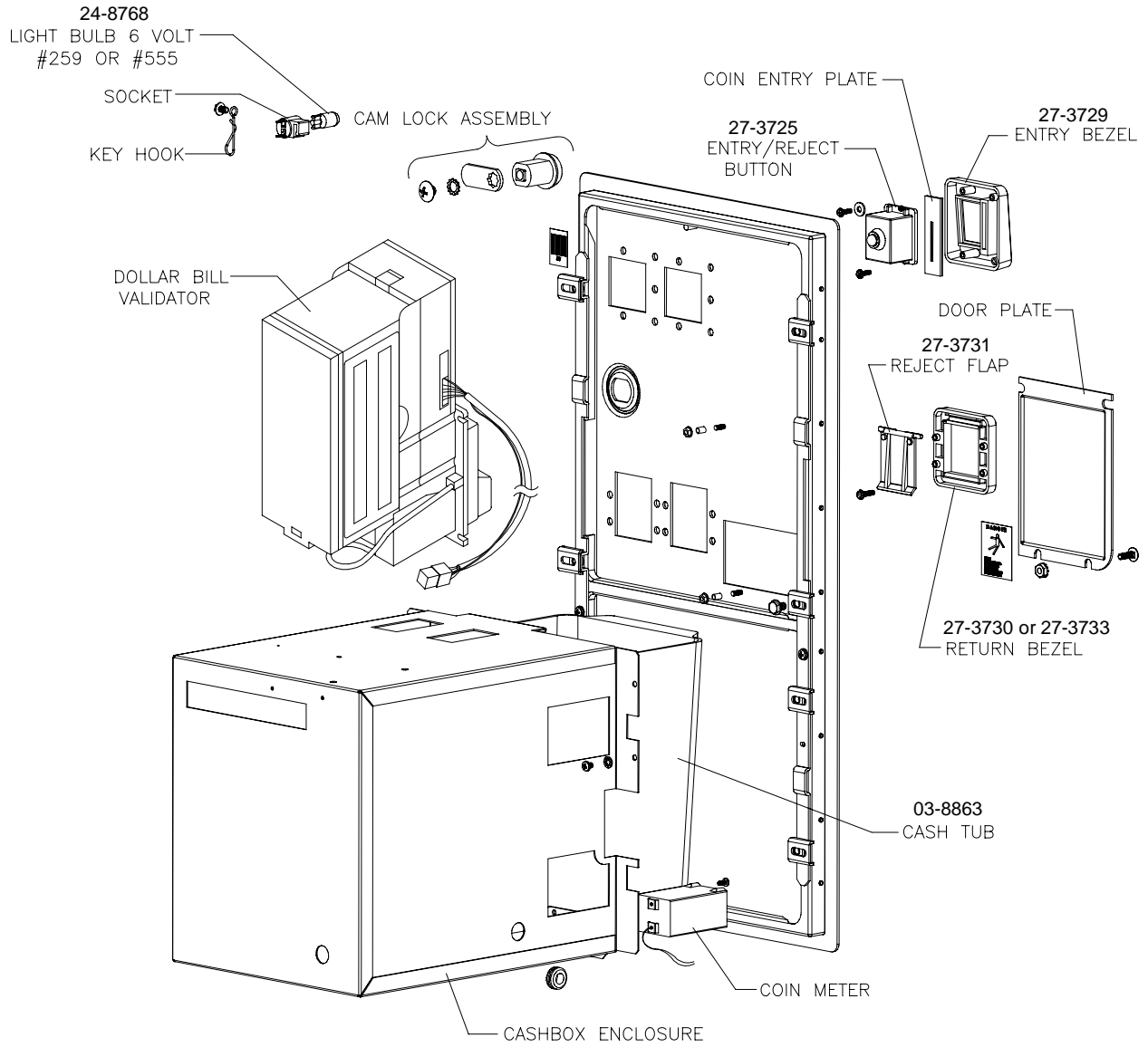
KEYPAD POD ASSEMBLY (A-23458)



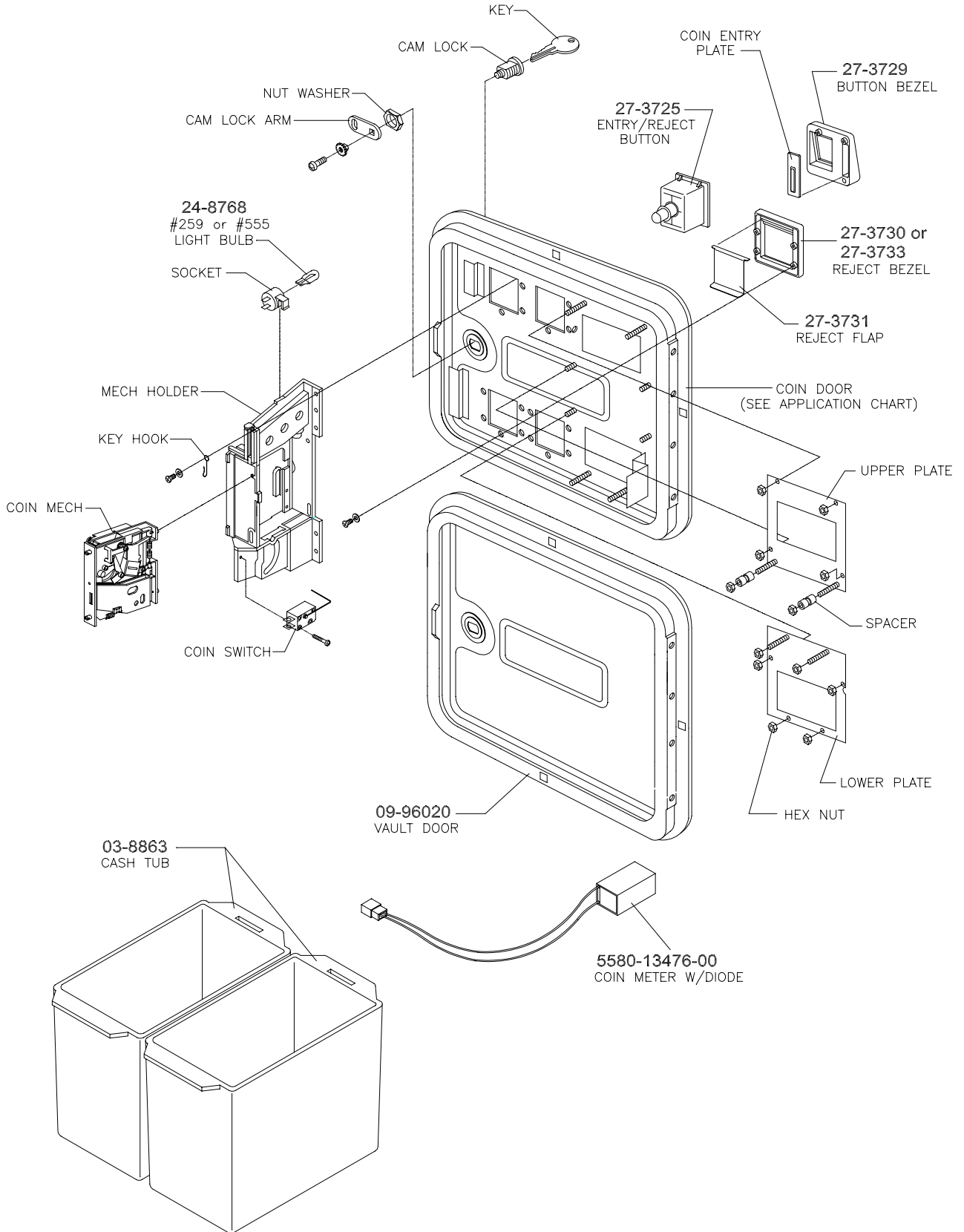
CONTROL PANEL HOUSING ASSEMBLY (A-23454)



DOLLAR BILL VALIDATOR DOOR ASSEMBLY I



DOLLAR BILL VALIDATOR DOOR ASSEMBLY II



CPU BOARD ASSEMBLY (A-23459)

