



Helpful Hints 0011

clear & easy

PAGE: 1 of 1

DATE: 6-18-02

REVISION: 03

201 INDUSTRIAL BOULEVARD • KEARNEYSVILLE, WV 25430
Phone: (304) 728-7056 • Fax: (304) 725-6579 • Toll Free: (800) 931-9214

SUBJECT: Replacing a Vend Motor (MIV)

of People Required 

MODELS: Merlin IV

TOOLS REQUIRED: Phillips screwdriver; may also need a drill and 3/8" drill bit

ESTIMATED TIME: 15 minutes

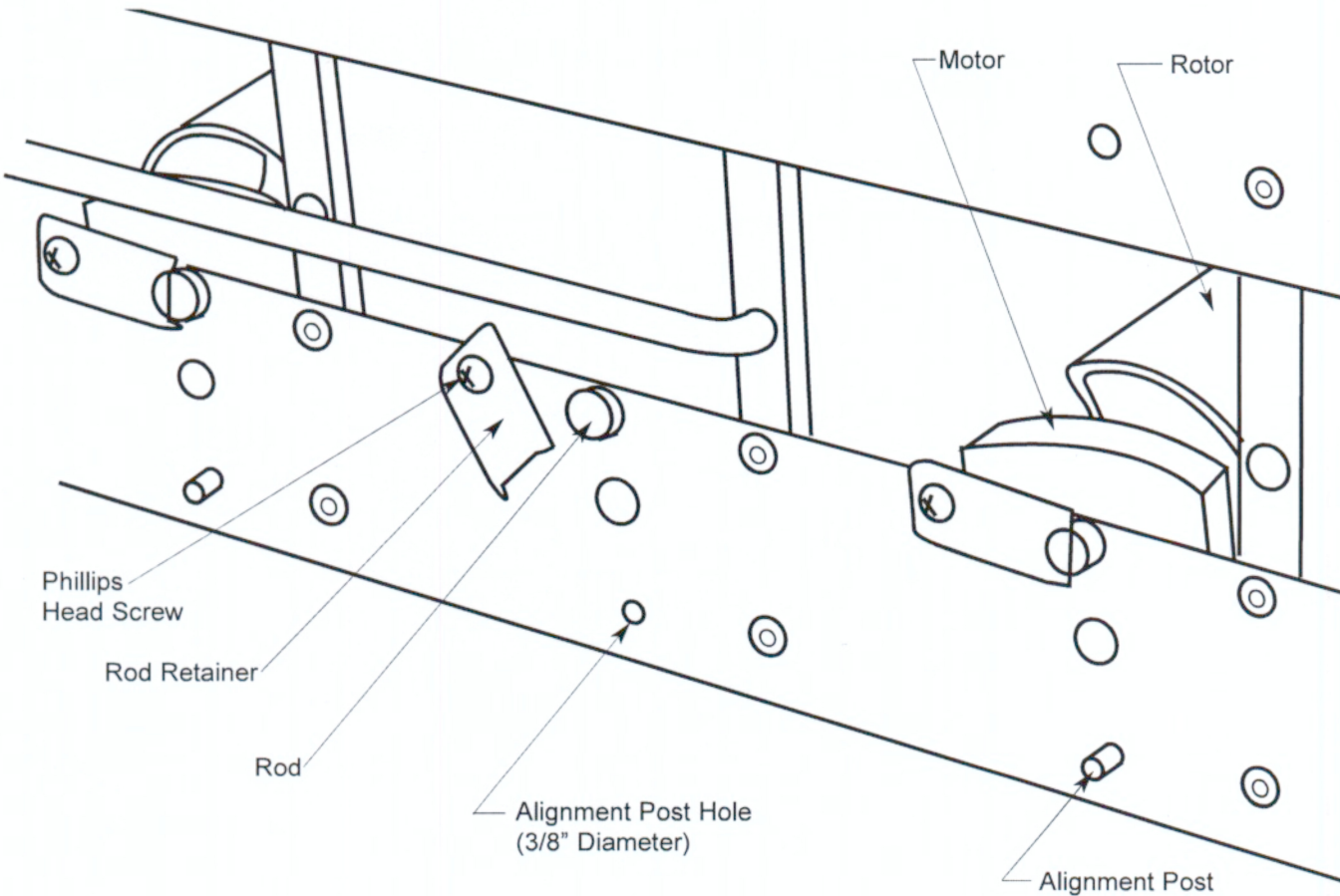
Instructions:

1. Power Down Vender
2. Empty product out of the front and rear column
3. Loosen rod retainer with a Phillips head screwdriver
4. Unplug motor
5. Pull rod out
6. Take out rotor by pushing up on the rear of the rotor to force the front of the rotor to drop out.
7. If the motor that is going to be installed has a white casing (839029), follow steps 8-11. If the motor to be installed has a black casing (839031), the alignment post hole will need to be enlarged with a 3/8" drill bit. See illustration below for location.
8. Install the new vend motor with rotor, then insert the rod.
9. Connect wiring to vend motor
10. Tighten rod retainer
11. Test vend to ensure proper vending



The following areas of this vender contain voltage, which can cause serious injury or even death. The main power cord, supplying 110 VAC to the evaporator, EMI filter, and refrigeration system. The power line from the EMI filter to the ballast and transformer. The ballast can produce upwards of 600 volts. Remove power from vender before working in any of these areas.

- Notes:**
- 1) The newer vend motor (839031) has a black casing; the older vend motor (839029) has a white casing.
 - 2) Once the alignment hole has been enlarged, only the newer vend motor with the black casing can be used.



**ANY QUESTIONS??? CONTACT ROYAL VENDORS' CUSTOMER SERVICE DEPARTMENT
CALL TOLL FREE (800) 931-9214**